



matteuzzi srl

macchine per pneumatici e per i processi di ricostruzione
equipment for the tyre and retreading industries

MATTEUZZI srl
Via Serra 1/E - Lippo
40012 Calderara Di Reno
Bologna - Italy

Tel.: ++39 – 051726351

Fax: ++39 – 051726283

matteuzzi@matteuzzi-srl.com

www.matteuzzi-srl.com

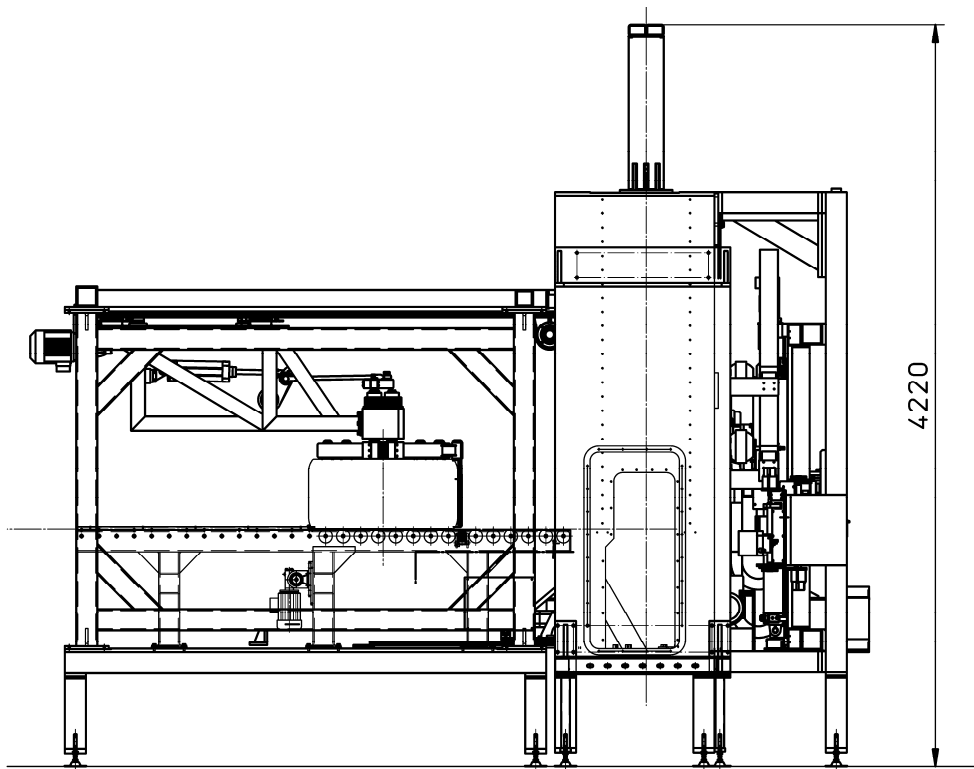
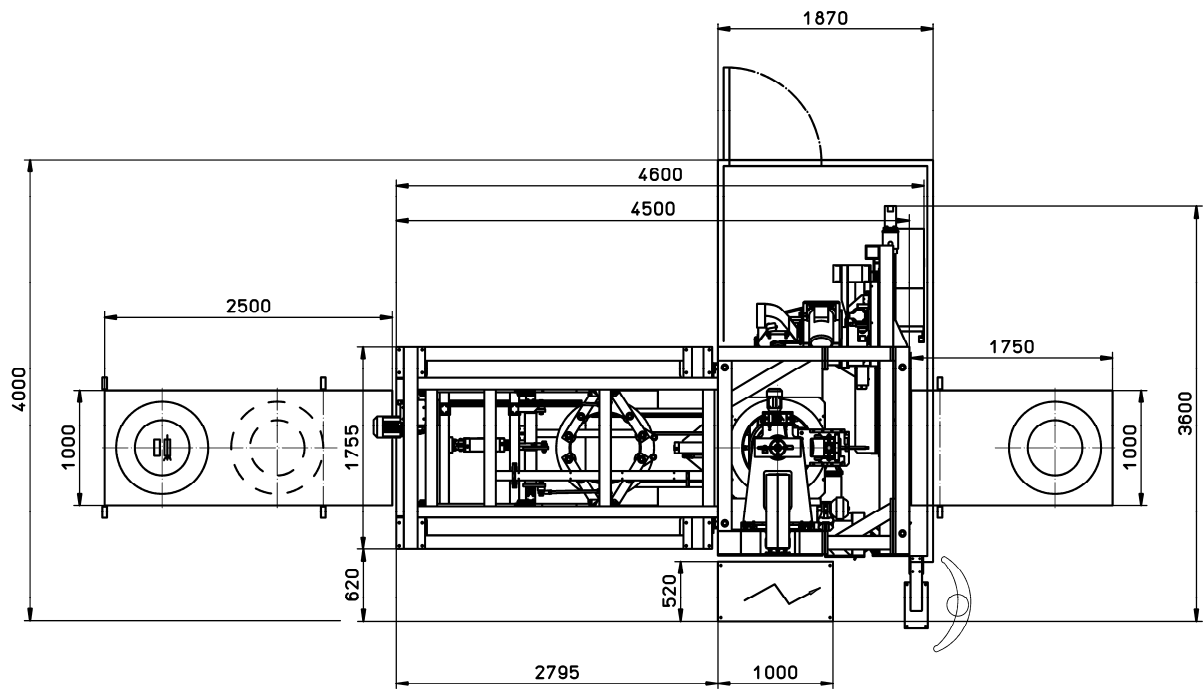


RRM45-1, HORIZONTAL GRINDER

FOR CAR AND LIGHT TRUCK TYRES

DIMENSIONI DELLA MACCHINA IN SERVIZIO

■ DIMENSIONS OF THE MACHINE IN SERVICE



Adatta per pneumatici dal 13" al 26"
 Diametro esterno massimo: 850 mm (33")
 Sezione massima : 16"
 Calettaggio: da 2" a 16"

■ *Bead dia. range: 13" to 26"*
 ■ *Max. outer diameter: 850 mm (33")*
 ■ *Max. cross section: 16"*
 ■ *Bead width setting: 2" to 16"*

Machine in service

In the following pictures the regular fence is completed by an additional safety protection.

