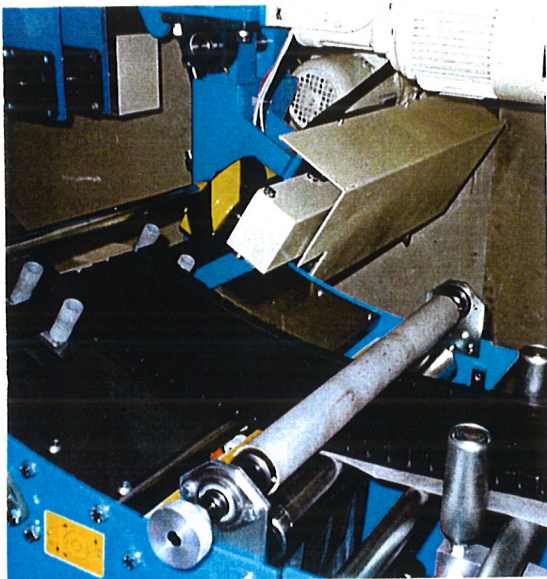
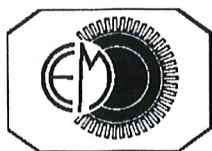
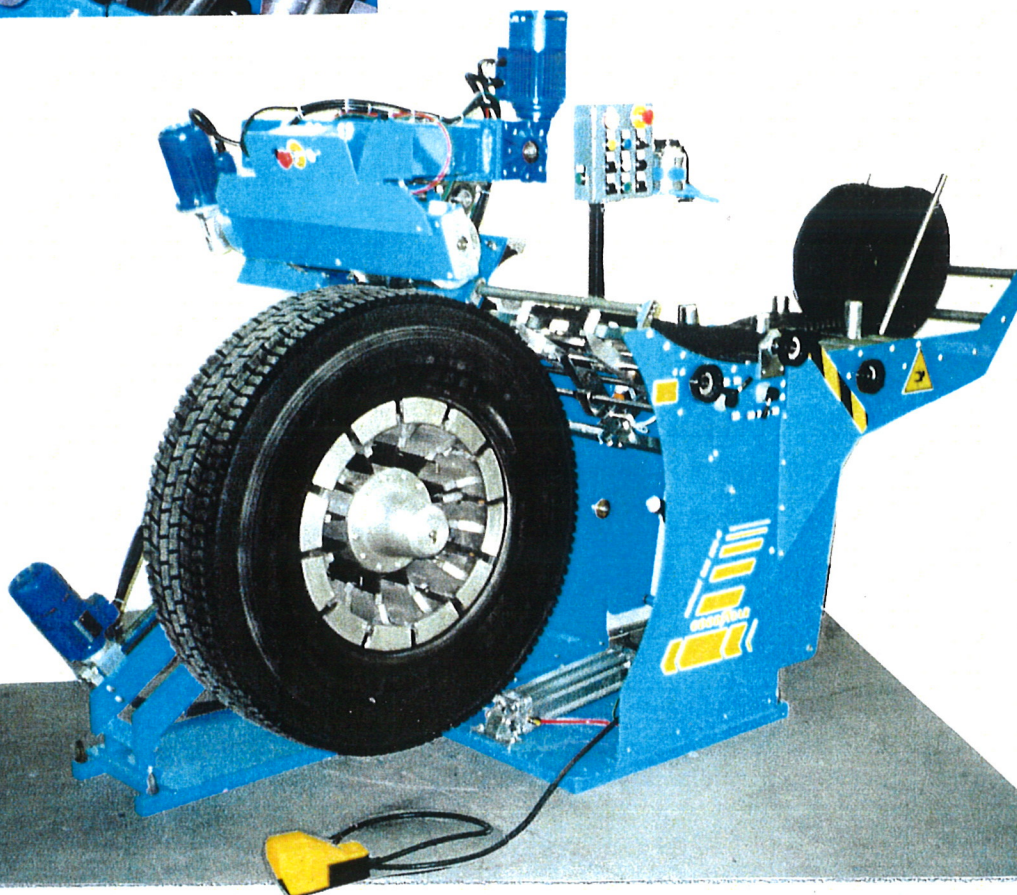


RAS 201 BUILDER

PRECURED TREAD BUILDING AND STITCHING MACHINE FOR TRUCK TYRES



tread cutter assembly



matteuzzi srl

macchine per pneumatici e per i processi di ricostruzione
equipment for the tyre and retreading industries

VIA SERRA 1/E,
40012 CALDERARA DI RENO,
BOLOGNA, ITALY

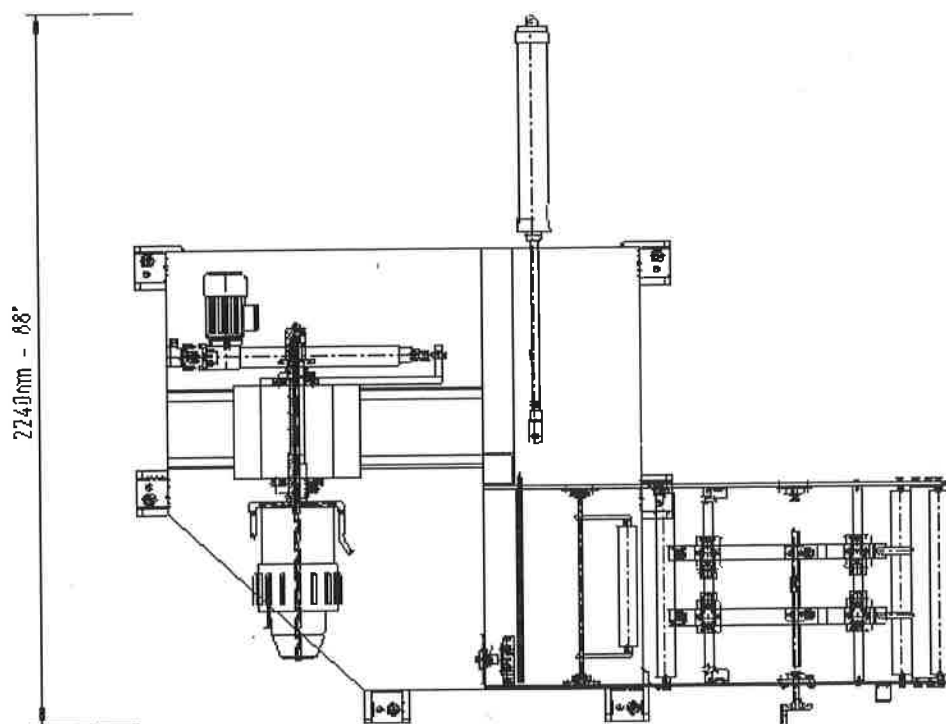
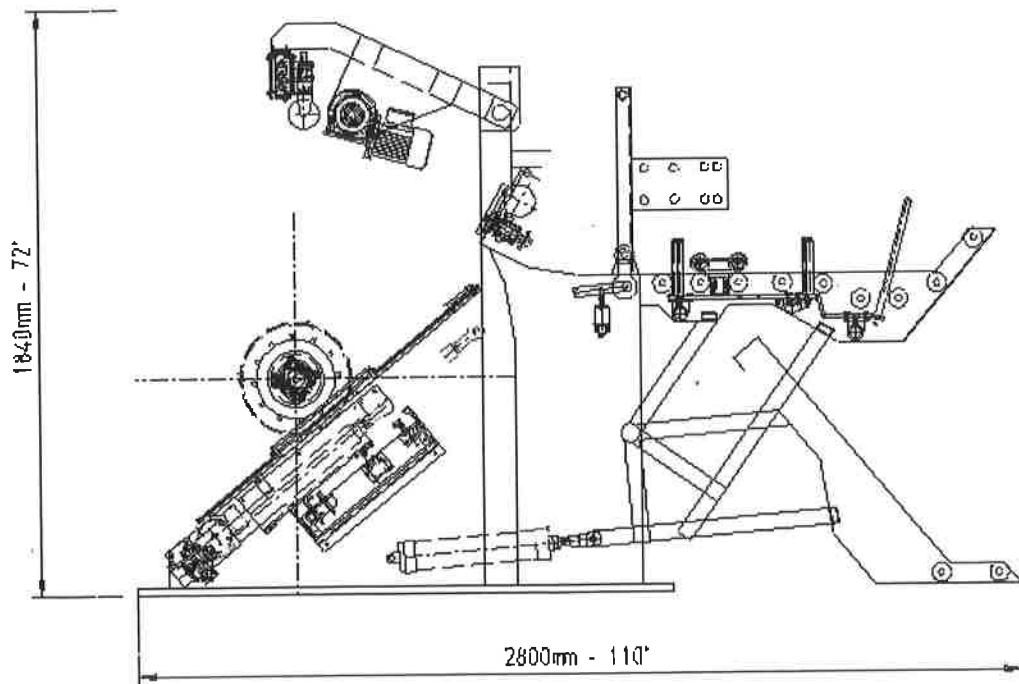
TEL. ++39 - 051726351

FAX ++39 - 051726283

web: www.matteuzzi-srl.com

e-mail: matteuzzi@matteuzzi-srl.com

RAS 201 BUILDER



dimensioni della macchina in servizio

dimensions of the machine in service

misure dei pneumatici	tyre sizes	14" - 24.5" (compreso/ including 445/65 R 22.5)
potenza totale installata	total installed power	1.75 kw (2.35 hp) circa/approx.
alimentaz. aria compressa	compressed air supply	8 bar (120 PSI)
consumo aria compressa	compressed air absorption	600 NI (21 cu ft) per ciclo / per cycle
peso netto	net weight	1050 kg (2363 lbs)