

RAS 405

PRECURED TREAD BUILDING AND STITCHING MACHINE
FOR TRUCK TYRES

- automatic poly removal
- guided and centered tread application
- tread cutter with automatic presser
- tread saving system



matteuzzi srl

macchine per pneumatici e per i processi di ricostruzione
equipment for the tyre and retreading industries

VIA SERRA 1/E,
40012 CALDERARA DI RENO,
BOLOGNA, ITALY

TEL. ++39 - 051726351

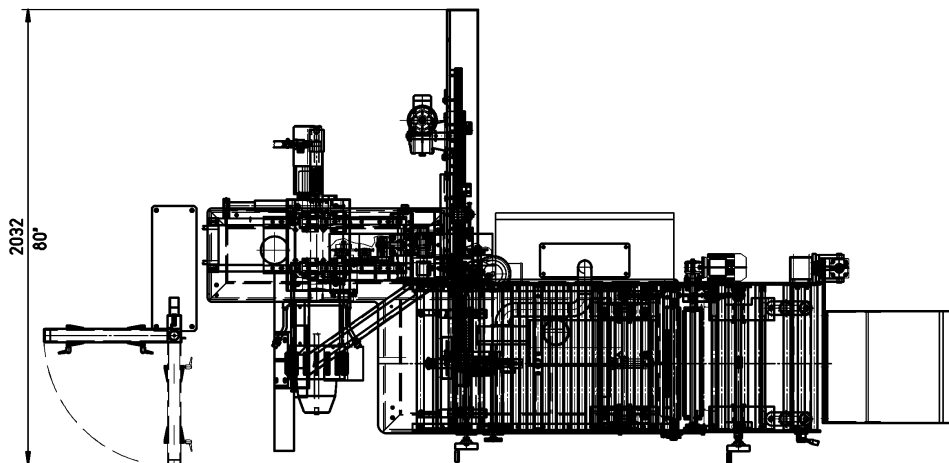
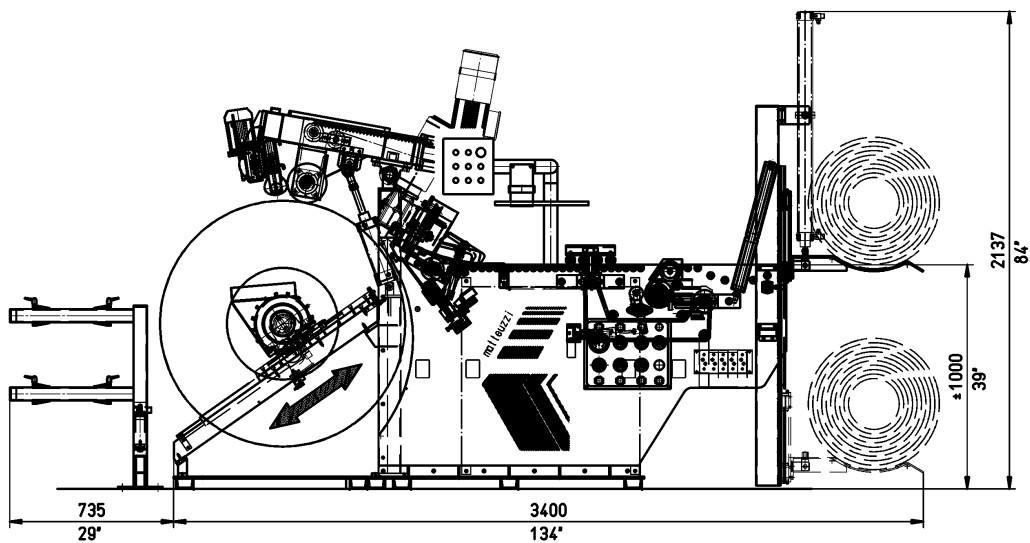
FAX ++39 - 051726283

web: www.matteuzzi-srl.com

e-mail: matteuzzi@matteuzzi-srl.com

RAS 405

PRECURED TREAD BUILDING AND STITCHING MACHINE
FOR TRUCK TYRES



dimensioni della macchina in servizio

dimensions of the machine in service

misure dei pneumatici	<i>tyre sizes</i>	14" - 24.5" (compreso/ including 445/65 R 22.5)
potenza totale installata	<i>total installed power</i>	2 kw (2.75 hp) circa/approx.
alimentaz. aria compressa	<i>compressed air supply</i>	8 bar (120 PSI)
consumo aria compressa	<i>compressed air absorption</i>	700 NI (25 cu ft) per ciclo / per cycle
peso netto	<i>net weight</i>	960 kg (2160 lbs)