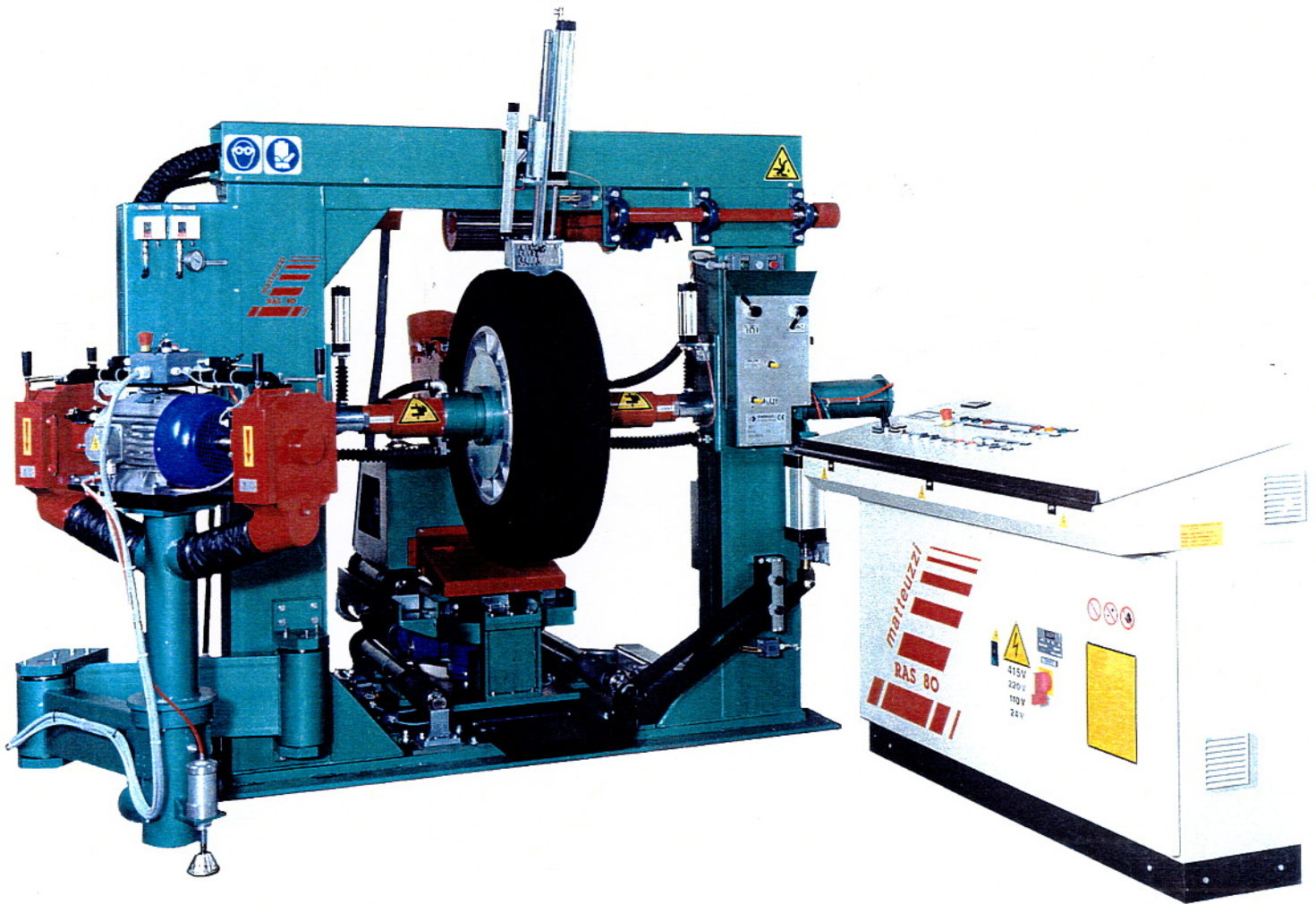


---

# RAS 80, RASPATRICE AUTOMATICA AUTOMATIC BUFFING MACHINE

---



**matteuzzi** srl

macchine per pneumatici e per i processi di ricostruzione  
equipment for the tyre and retreading industries

VIA SERRA 1/E,  
40012 CALDERARA DI RENO,  
BOLOGNA, ITALY

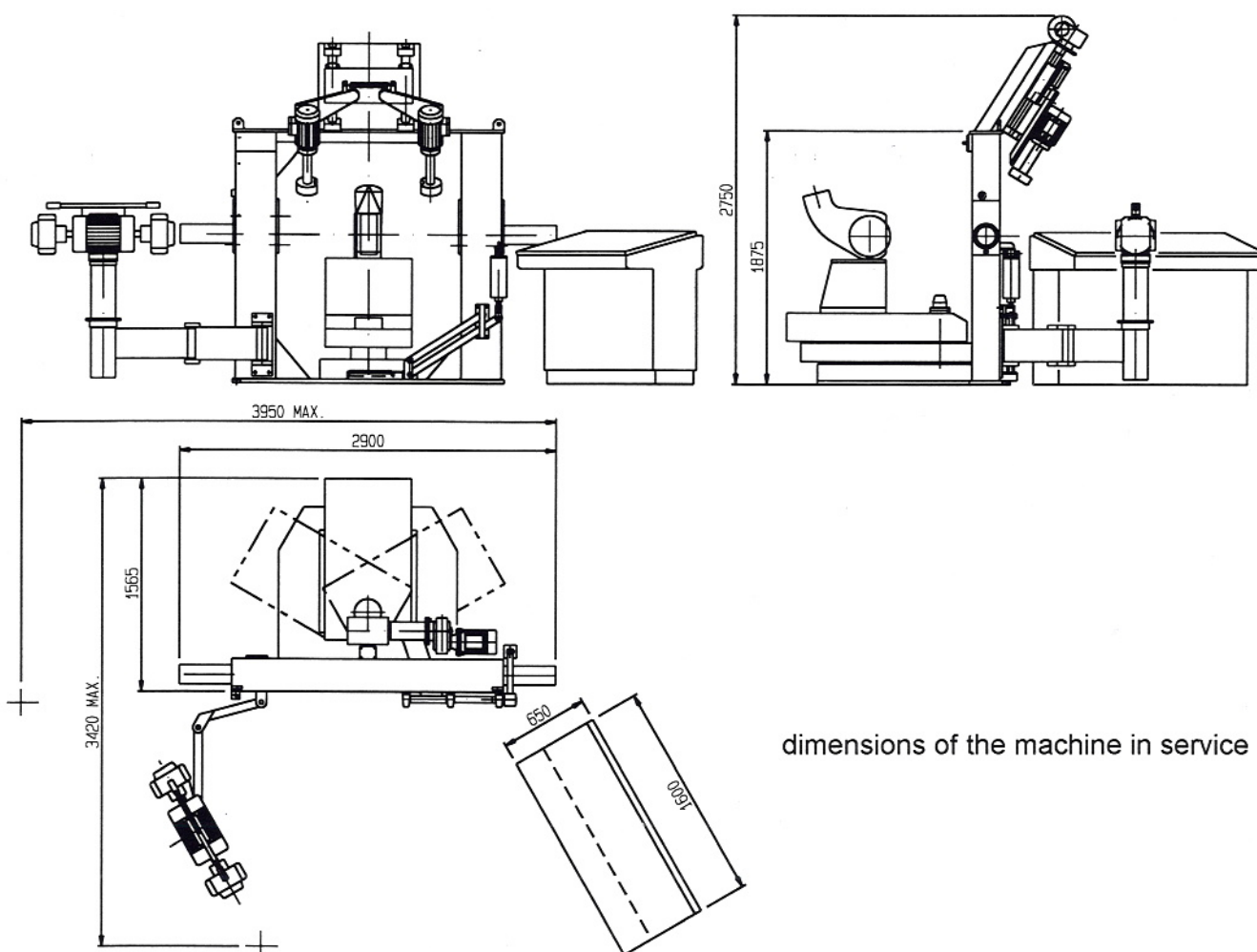
TEL. ++39 - 051726351

FAX ++39 - 051726283

web: [www.matteuzzi-srl.com](http://www.matteuzzi-srl.com)

e-mail: [matteuzzi@matteuzzi-srl.com](mailto:matteuzzi@matteuzzi-srl.com)

# RAS 80, RASPATRICE AUTOMATICA AUTOMATIC BUFFING MACHINE



floor to floor average output	20÷25 tyre casings per hour
total installed power	46.5 hp (34 kw) includes 30 hp rasp head motor and 12.5 hp articulated manual buffing/brushing arm
compressed air supply	10 bar (150 PSI)
compressed air absorption	600 N. litres per cycle
net weight	2910 kg