

RAS 98-E *ultra*

COMPUTER CONTROLLED BUFFING MACHINE *with expanding hub and rim assembly*

MACHINE SUITABLE FOR TRUCK TYRES
UP TO 445 R 22.5" AND 495/45 R 22.5"



- 15" COLOUR TOUCH SCREEN USER INTERFACE. THE INDUSTRIAL PC PROVIDES TWO USB PORTS FOR DATA BACKUP AND SOFTWARE UPDATING.
- BUFFING PROGRAMME ALLOWS TO CONTROL TWO CROWN BUFFING RADII (NEGATIVE RADIUS IS ALSO POSSIBLE).
- "BEC 90" STEEL BELT DETECTOR AND "LASER 300" COMPUTER INTERACTIVE CIRCUMFERENCE MEASURING DEVICE. An optional second laser can be installed to measure both shoulder buffed circumference simultaneously and automatically correct the buffing profile to compensate any tyre offset. "BEC 90", used in combination with "LASER 300", allows different operating options that include tyre casing buffing with diameter/circumference set to zero so that buffing profile is completed according to rubber thickness to be left on the steel belts.
- SELF DIAGNOSTIC AND TROUBLESHOOTING SYSTEM.
- ARTICULATED BUFFING/BRUSHING ARM, COMPUTERISED SIDEWALL BRUSHING UNIT and CABLE LIFT are available on request.



Matteuzzi srl

VIA SERRA 1/E,
40012 CALDERARA DI RENO,
BOLOGNA, ITALY

TEL. ++39 - 051726351

FAX ++39 - 051726283

web: www.matteuzzi-srl.com

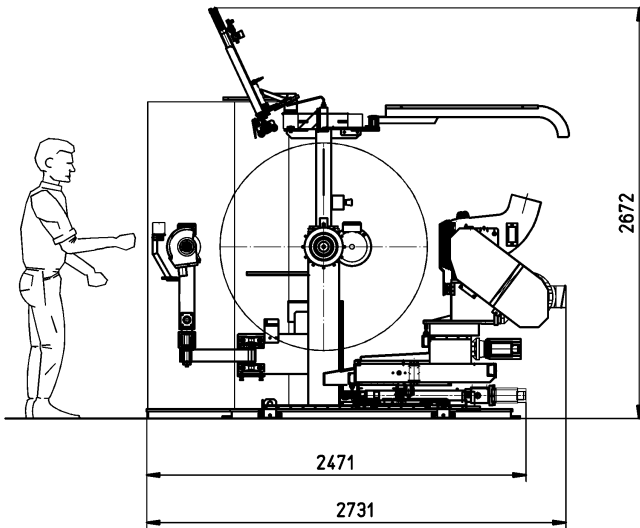
e-mail: matteuzzi@matteuzzi-srl.com

RAS 98-E *ultra*

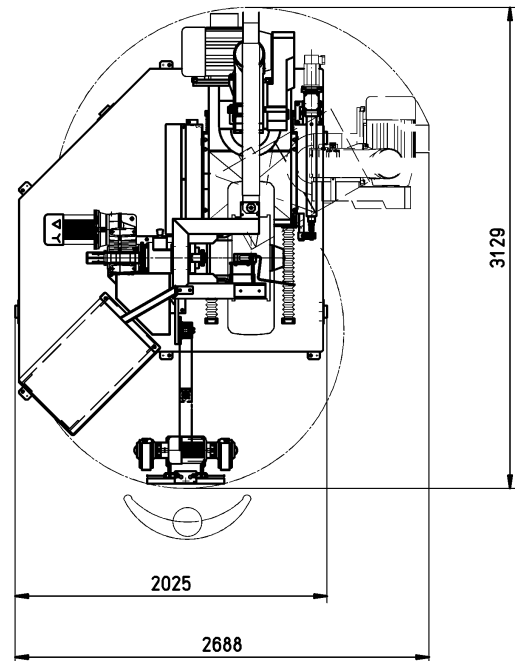
**COMPUTER CONTROLLED BUFFING MACHINE
WITH EXPANDING HUB AND RIM ASSEMBLY**

dimensioni della macchina in servizio

dimensions of the machine in service



side view



top view

gamma di pneumatici	<i>tyre size range</i>	14" - 24.5" (including 445 R 22.5" and 495/45 R 22.5")
produzione media	<i>floor to floor average output</i>	18/30 carcasse/h – <i>tyre casing per hour</i>
potenza totale installata	<i>total installed power</i>	48 kw (65 HP) includes 40 HP rasp head motor
alimentaz. aria compressa	<i>compressed air supply</i>	10 bar (150 PSI)
consumo aria compressa	<i>compressed air absorption</i>	600 NI (21 cu ft) per ciclo/circa - <i>per cycle/approx.</i>
peso netto	<i>net weight</i>	2480 kg (5580 lbs)



matteuzzi srl

macchine per pneumatici e per i processi di ricostruzione
equipment for the tyre and retreading industries

LEADER MONDIALE NELLA TECNOLOGIA DELLA
RASPATURA COMPUTERIZZATA DEI
PNEUMATICI: **oltre 800 macchine in funzione.**

**WORLD LEADER IN COMPUTERISED TYRE
BUFFING TECHNOLOGY WITH more than 800
machines in operation**